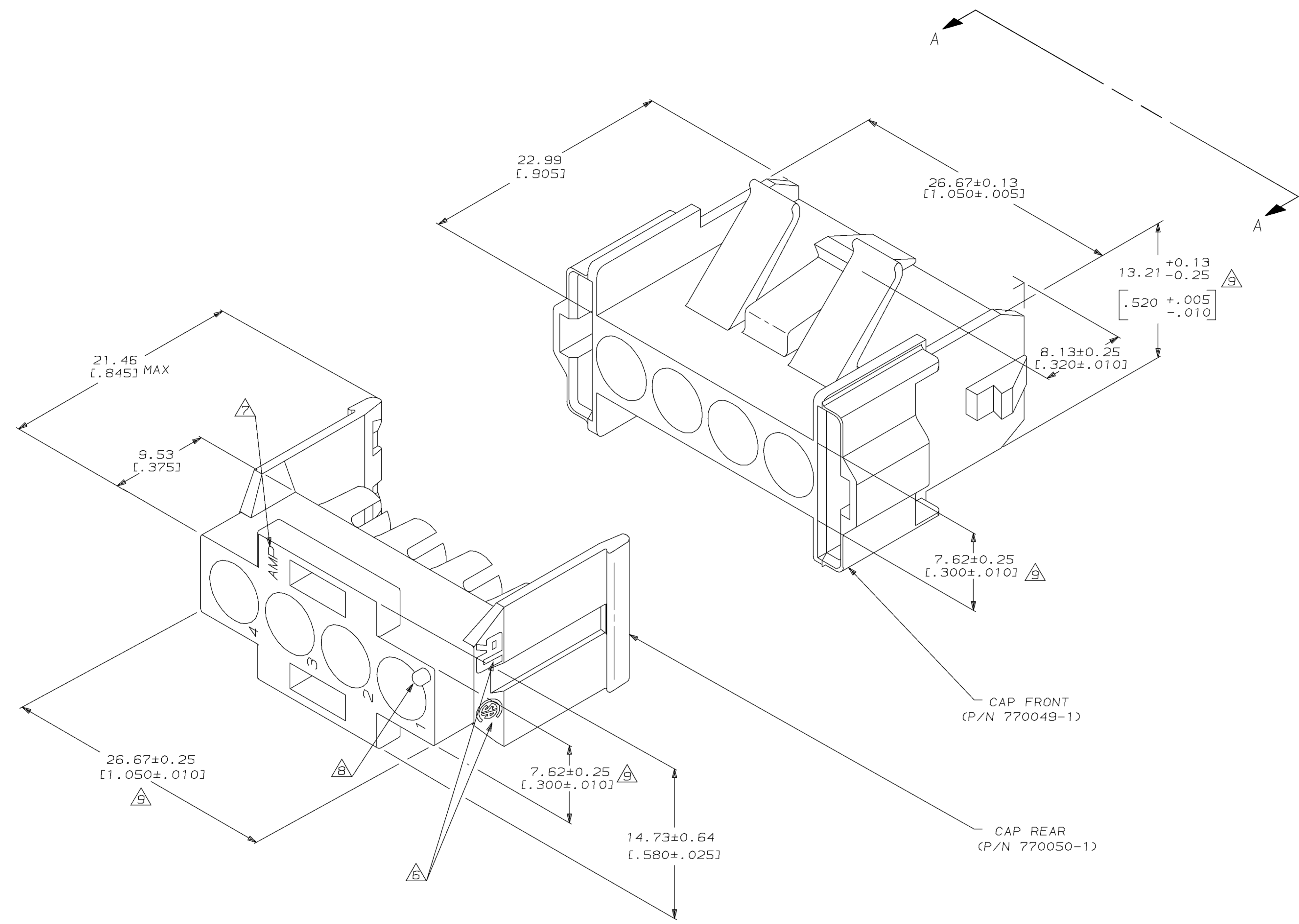
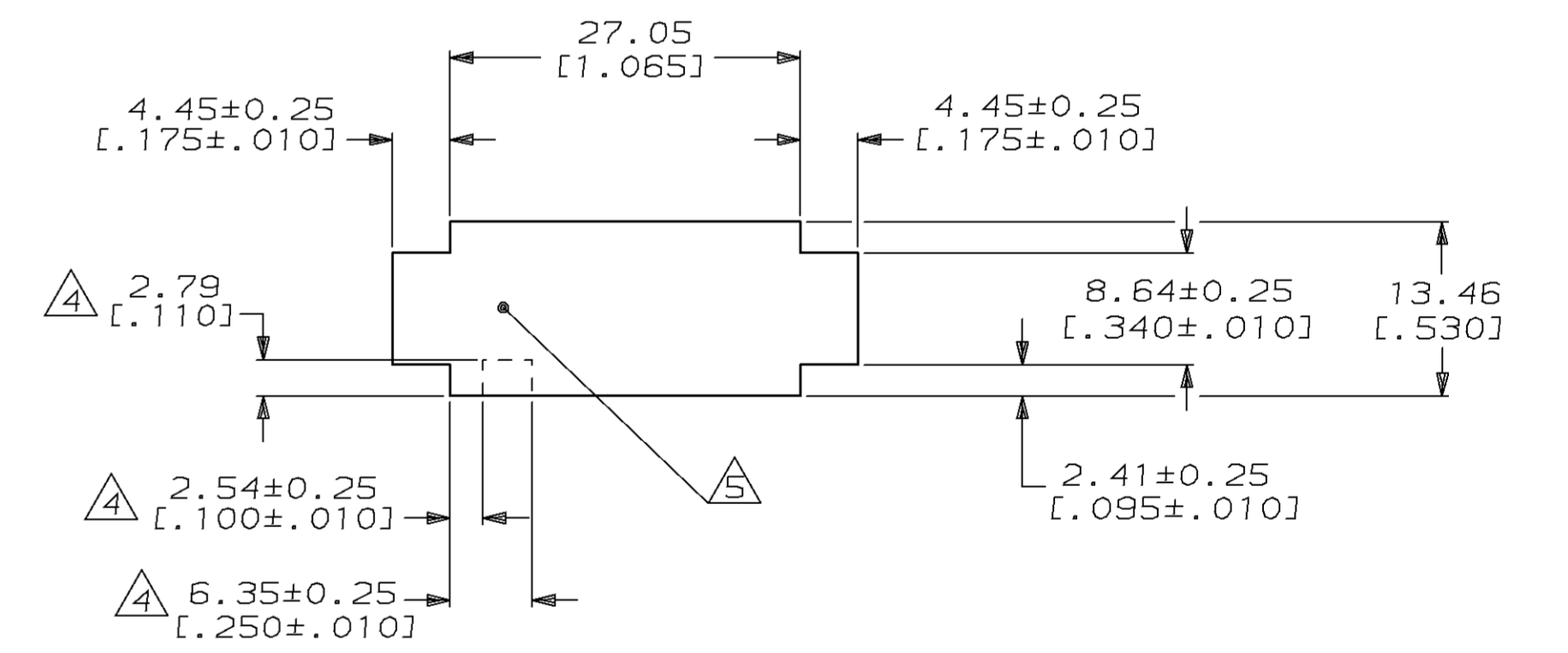


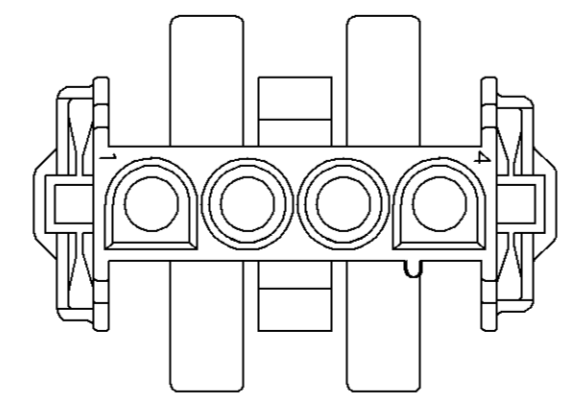
LOC		DIST		P		F		ZONE		LTR		REVISIONS		DATE	APPD
												DESCRIPTION			
CM	53											F	REV PER EC OL30-0034-96	8-30-96	JH/R5



1. BULK PACKAGED, UNASSEMBLED.
2. RECOMMENDED PANEL THICKNESS 0.76-2.29 [1.030-.090].
3. PANEL MUST BE PUNCHED SO THAT THE HOUSING ENTERS THE PANEL IN THE SAME DIRECTION AS THE PUNCH.
4. OPTIONAL FOR KEYING HOUSING IN PANEL.
5. CIRCUIT NO. 1 LOCATON.
6. APPROVAL AGENCY LOGO LOCATED APPROXIMATELY AS SHOWN.
7. AMP LOGO LOCATED THIS SURFACE.
8. CIRCUIT NUMBER ONE IDENTIFICATION BUTTON AND CIRCUIT IDENTIFICATION NUMBERS ARE EACH LOCATED ADJACENT TO THE APPROPRIATE CIRCUIT CAVITIES.
9. DIMENSION INDICATED IS AS MOLDED. ADDITIONAL GROWTH DUE TO SUBSEQUENT MOISTURE ABSORPTION MAY OCCUR.



RECOMMENDED PANEL CUTOUT
 (HOUSING ENTRY SIDE)
 SCALE 2:1



VIEW A-A
 SCALE 2:1



770026-1
 PART NUMBER

DO NOT SCALE PRINT. UNLESS SPECIFIED DIMENSIONS IN INCHES TOLERANCES ON:		DR 1-22-92 K. SALMON		PART NO	
1	PLC DEC ± 0.13 [1.005]	CHK 1-22-92 R. SWING		AMP INCORPORATED Harrisburg, Pa. 17105	
2	PLC DEC ± 0.13 [1.005]	APPD 1-22-92 M. TRULL			
3	PLC DEC ± 0.13 [1.005]	APPD 1-22-92 M. TRULL		NAME	
4	ANGLES ± 0.13 [1.005]	PRODUCT SPEC		CAP HOUSING KIT, 4 CIRCUIT, IN-LINE, UNIVERSAL MATE-N-LOK™ II	
MATERIAL NYLON, UL94V-0,		APPLICATION SPEC		SIZE D	F5CM NO 00779
FINISH		WEIGHT		DRAWING NO 770026	SHEET 1 OF 1
				SCALE 5:1	